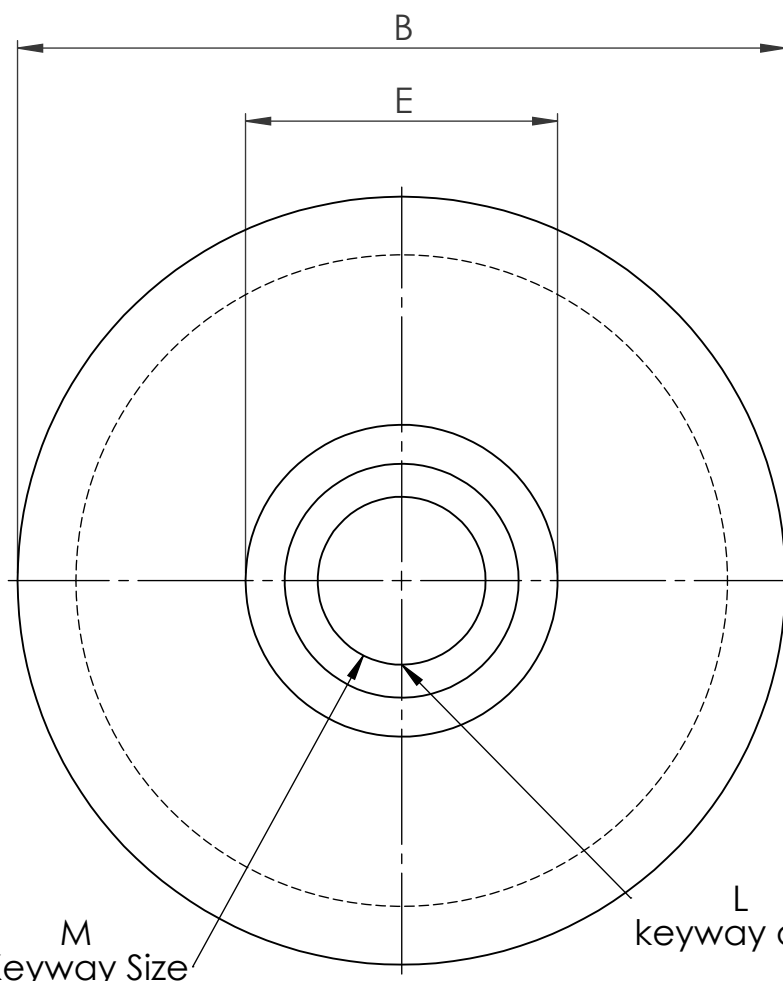
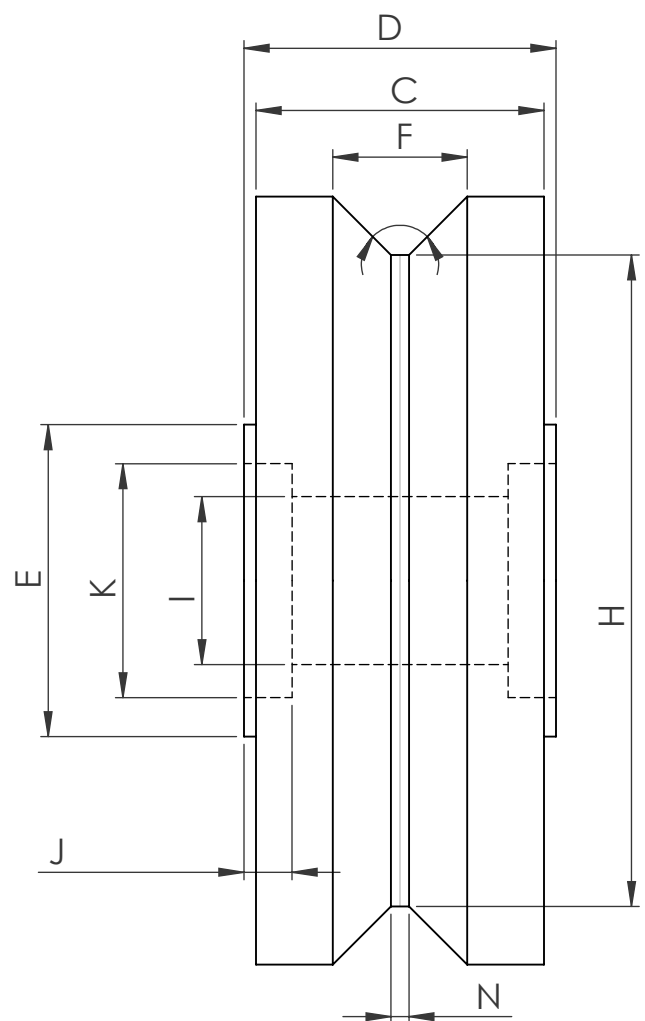


2

1

B

B



MEASUREMENT SPOTS	
A	
B	
C	
D	
E	
F	
G	
H	
I	
J	
K	
L	
M	
N	

A is the type of wheel

A

A

PARTS	PER	QTY

WELD

<b>QTY:</b>		
TITLE:		
<b>Vgroove WHEEL</b>		
SIZE	DWG. NO.	REV
<b>A</b>		
SHEET 1 OF 4		

2

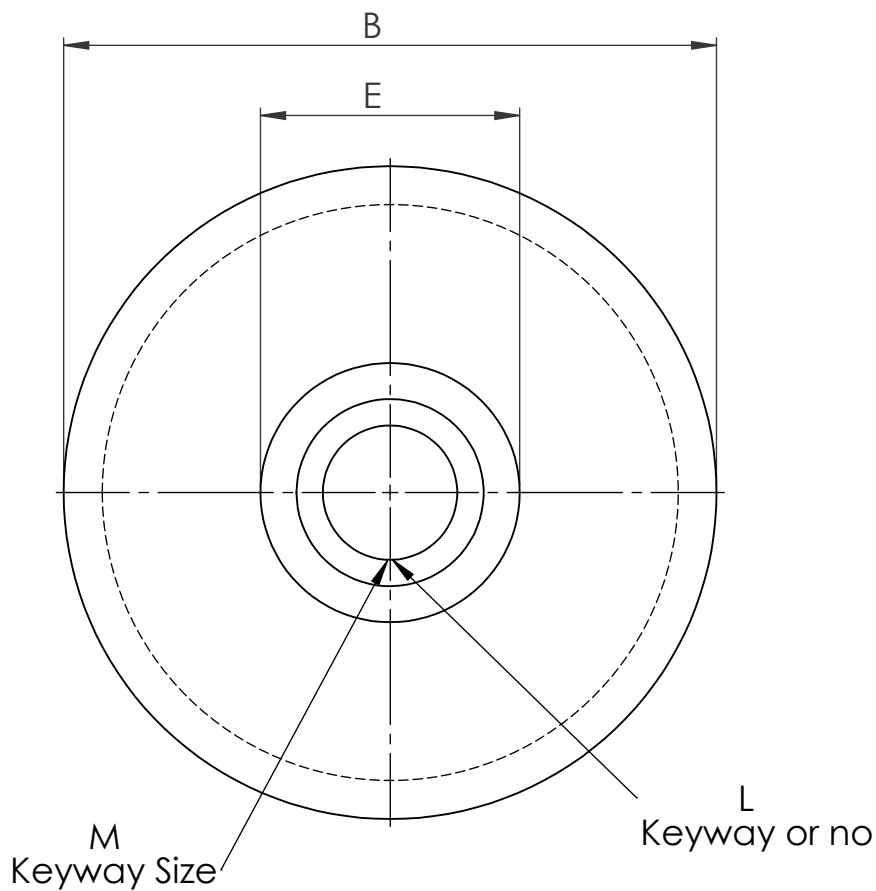
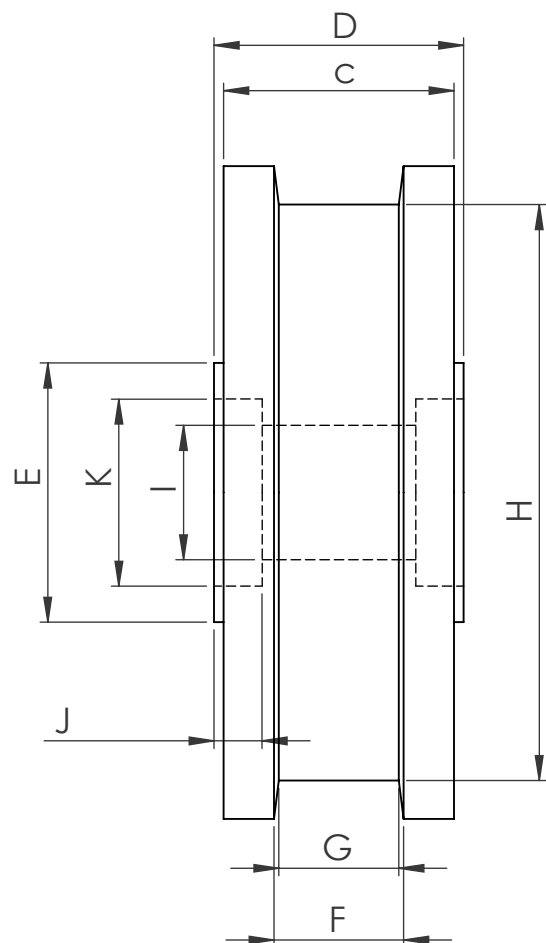
1

2

1

B

B



MEASUREMENT SPOTS	
A	
B	
C	
D	
E	
F	
G	
H	
I	
J	
K	
L	
M	
N	

A is the type of wheel

A

A

PARTS	PER	QTY	WELD

**QTY:**

TITLE:

**H Wheel**

COMMENTS:

SIZE	DWG. NO.	REV
<b>A</b>		

2

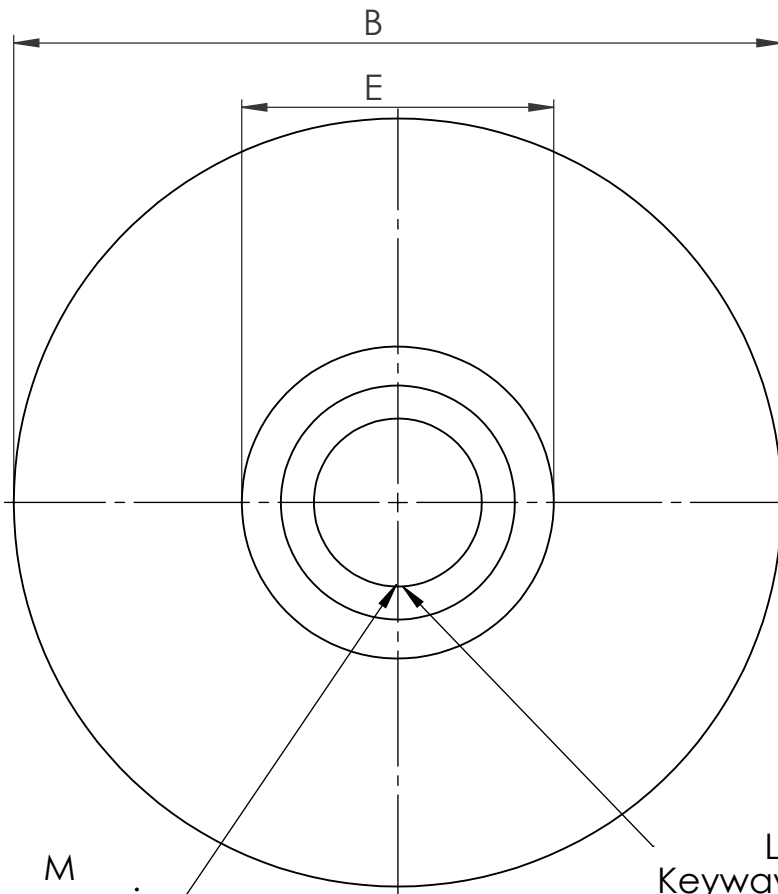
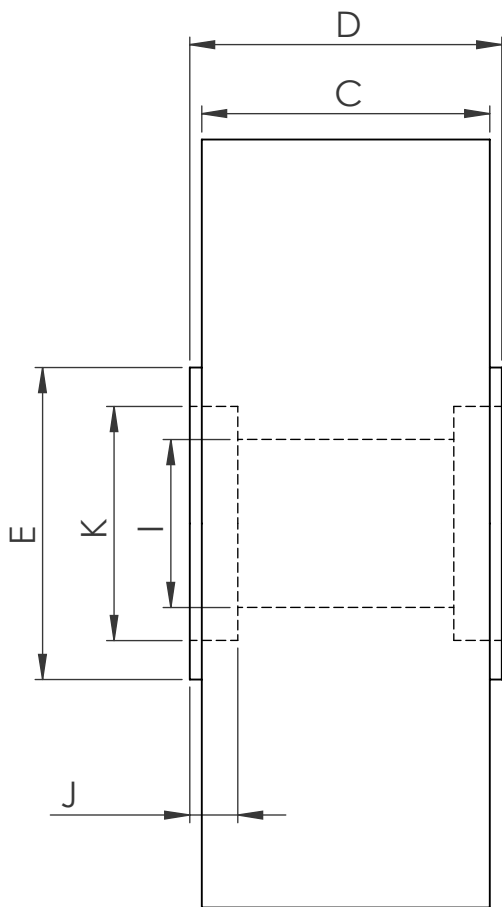
1

2

1

B

B



### MEASUREMENT SPOTS

A	
B	
C	
D	
E	
F	
G	
H	
I	
J	
K	
L	
M	
N	

A

A

**PARTS**

**PER**

**QTY**

**WELD**

**QTY:**

TITLE:

**Solid Steel Wheel**

COMMENTS:

SIZE

DWG. NO.

REV

**A**

2

1

